



The ICI Gearbox

Standard Duty Gearbox

50:1 Short Shaft Gearbox

52:1 Long Shaft Gearbox

Superior

Engineering & Features

- API Cartridge Input/Output Seals
- 2 1/4" (5.72 cm) High Strength Steel Input/Output Shafts
- Oversized Bearings on Input Shafts to Handle Higher Loads
- Premium Tapered Bearings
- Ductile Iron Input Shaft End Caps
- Filled with Premium GL5 Gear Oil
- Designed to Withstand 11,500 lbs (5,200 kgs) Tower Weight with 60% on One Wheel



Part #	Model	Description
1011814150	ICII-150GB	Gearbox, 50:1, Standard Duty, Short Shaft, Non-Tow
1011814151	ICII-152GB	Gearbox, 52:1, Standard Duty, Long Shaft, Non-Tow



(251) 626-5470

info@irricomp.com

www.irricomp.com

www.icigears.com



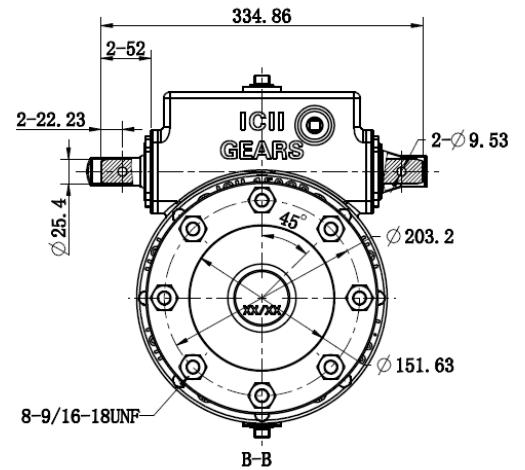
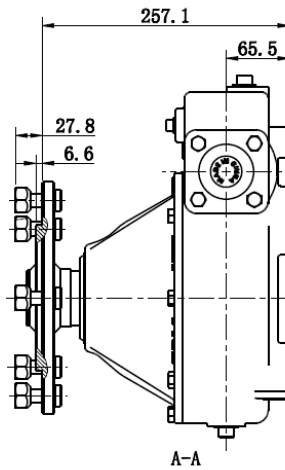
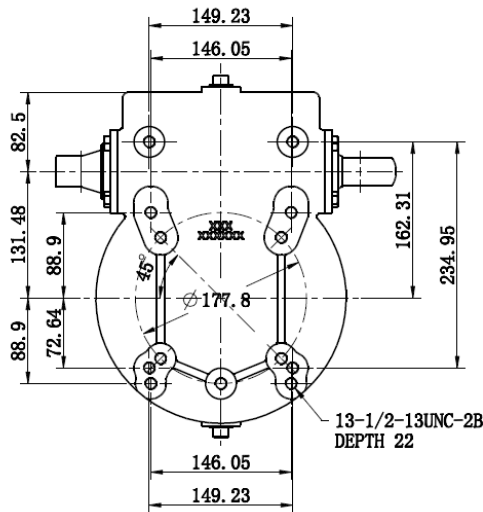
The ICI Gearbox

Standard Duty Gearbox

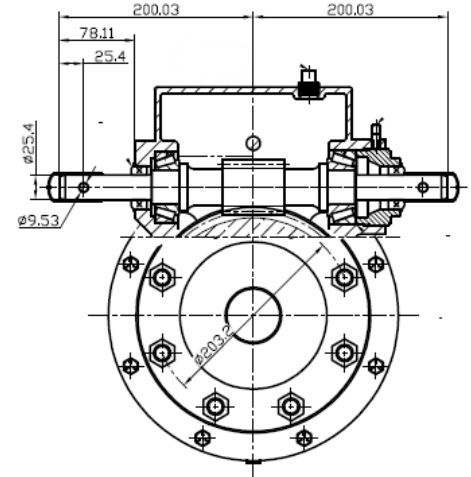
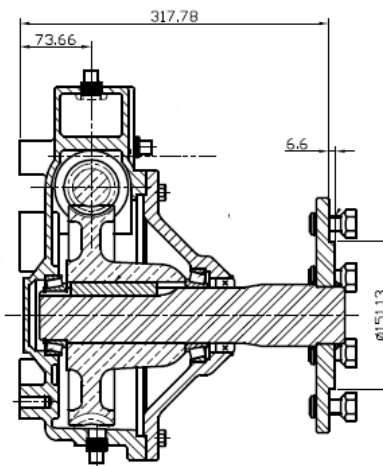
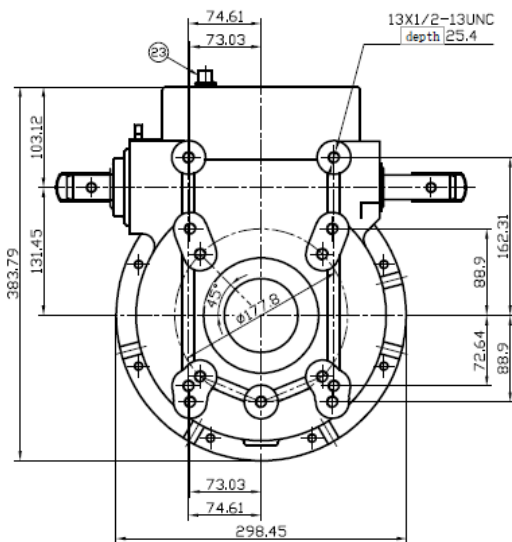
50:1 Short Shaft Gearbox

52:1 Long Shaft Gearbox

50:1 Gearbox



52:1 Gearbox



IRRIGATION
COMPONENTS
INTERNATIONAL

(251) 626-5470

info@irricomp.com

www.irricomp.com

www.icigears.com